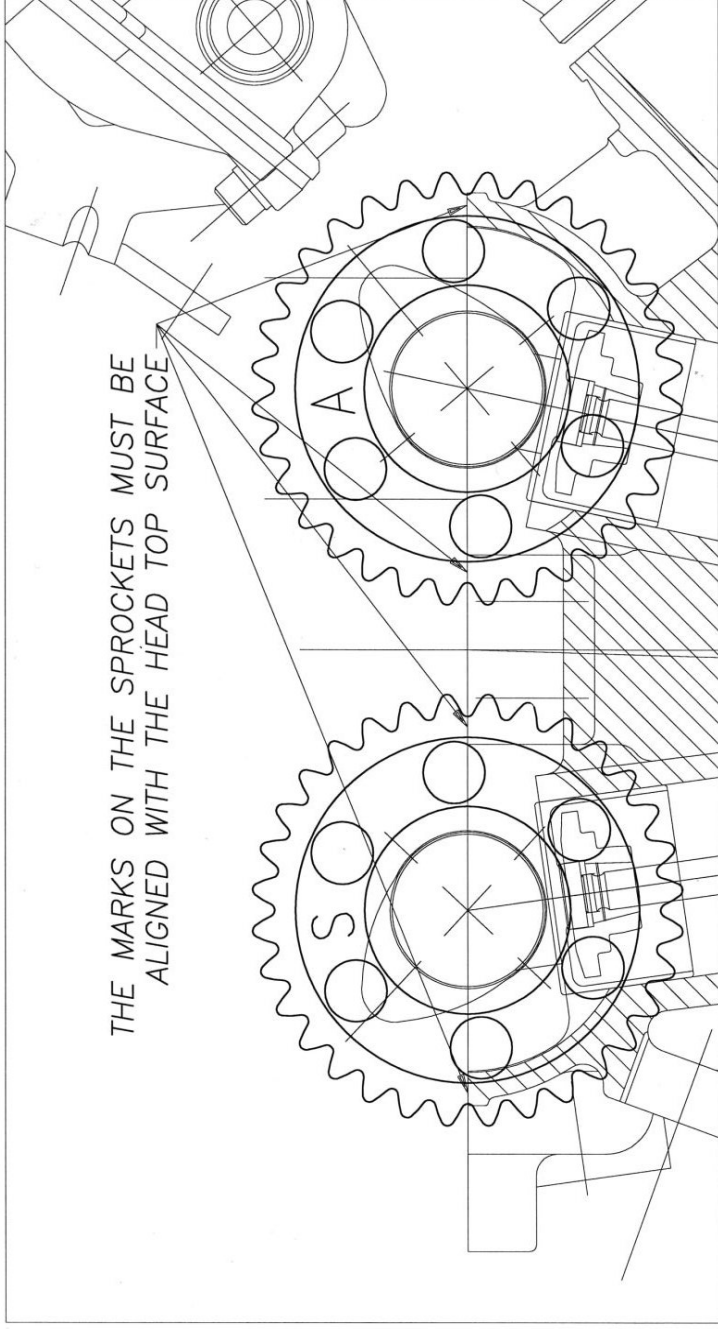


THE MARKS ON THE SPROCKETS MUST BE
ALIGNED WITH THE HEAD TOP SURFACE



POSITION OF CAMSHAFTS AT
TDC (FIRING)