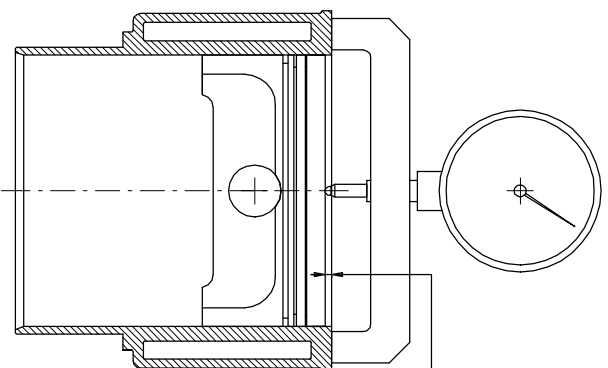




PISTON HEIGHT TABLE

4 STROKE 2004 MODELS



250cc ALL	MM. 0,70 - 0,80
450cc ALL	MM. 0,70 - 0,80
530cc ALL	MM. 1,05 - 1,15
660cc SMX	MM. 1,15 - 1,25

TIGHTEN THE CYLINDER TO THE CRANKCASE WITH TWO SPACERS AND CHECK ON THE FLAT AREA ON TOP OF PISTON (SQUISH AREA) WHILE KEEPING THE DIAL GAUGE ALONG THE WRISTPIN CENTERLINE, SO AS TO AVOID A WRONG READING DUE TO PISTON OSCILLATION

THE PISTON MUST BE ALWAYS UNDER THE CYLINDER TOP FACE