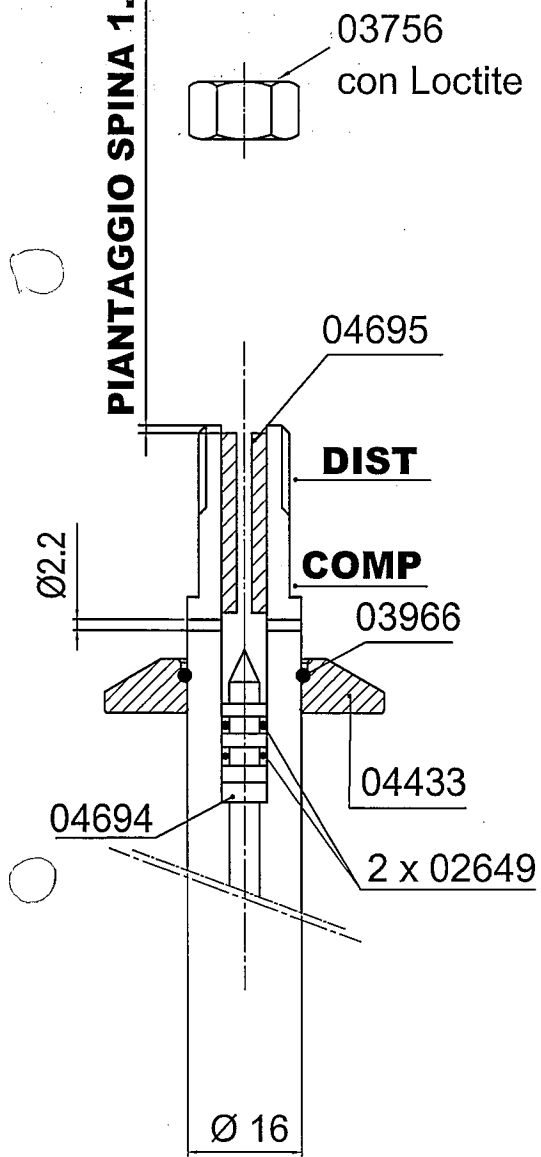


Disegno	STELO ASSEMBLATO
Ammortiz.	T.M. 250-300 CROSS 2T
Cod.Amm.	315646225

PIANTAGGIO SPINA 1.5 mm



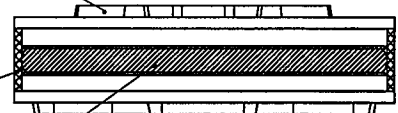
24 x 2	000PA004117
25 x 0.25	1-246-000-5736
26 x 0.30	1-246-000-6443
28 x 0.30	1-246-000-4284
30 x 0.30	1-246-000-4812
32 x 0.30	1-246-000-4612
34 x 0.30	1-246-000-2851
36 x 0.30	1-246-000-7713
28 x 0.15	1-246-000-4281
38 x 0.20	1-246-000-7721
38 x 0.20	1-246-000-7721
38 x 0.20	1-246-000-7721
38 x 0.20	1-246-000-7721

D I S T E N S I O N E

05511

4

05512



n° 4 fori circ. dist
n° 4 fori rett. comp

05535

4

6

44 x 0.15	000PA004616
44 x 0.15	000PA004616
44 x 0.15	000PA004616
44 x 0.15	000PA004616
44 x 0.20	000PA004617
44 x 0.20	000PA004617
44 x 0.20	000PA004617
44 x 0.20	000PA004617
44 x 0.20	000PA004617
44 x 0.20	000PA004617
44 x 0.20	000PA004617
34 x 0.15	1-246-000-2855
30 x 0.15	1-246-000-5750
42 x 0.15	000PA006057
42 x 0.20	000PA004727
40 x 0.20	000PA004649
38 x 0.20	1-246-000-7721
36 x 0.20	1-246-000-7711
34 x 0.25	1-246-000-2856
32 x 0.25	1-246-000-4611
30 x 0.25	1-246-000-4811
28 x 0.30	1-246-000-4284
26 x 0.30	1-246-000-6443
24 x 0.30	1-246-000-5712
23 x 0.30	1-246-000-6284
33.5 x 2.5	000PA004116

C O M P R E S S I O N E

Particolare		Codice
Stelo Ø16 lunghezza 188+34+18		000STC06066
Eseguito il da DID	Controllato il da DID	ED. 1 del 04/10/05 Valido dal 04/10/05