

Disegno

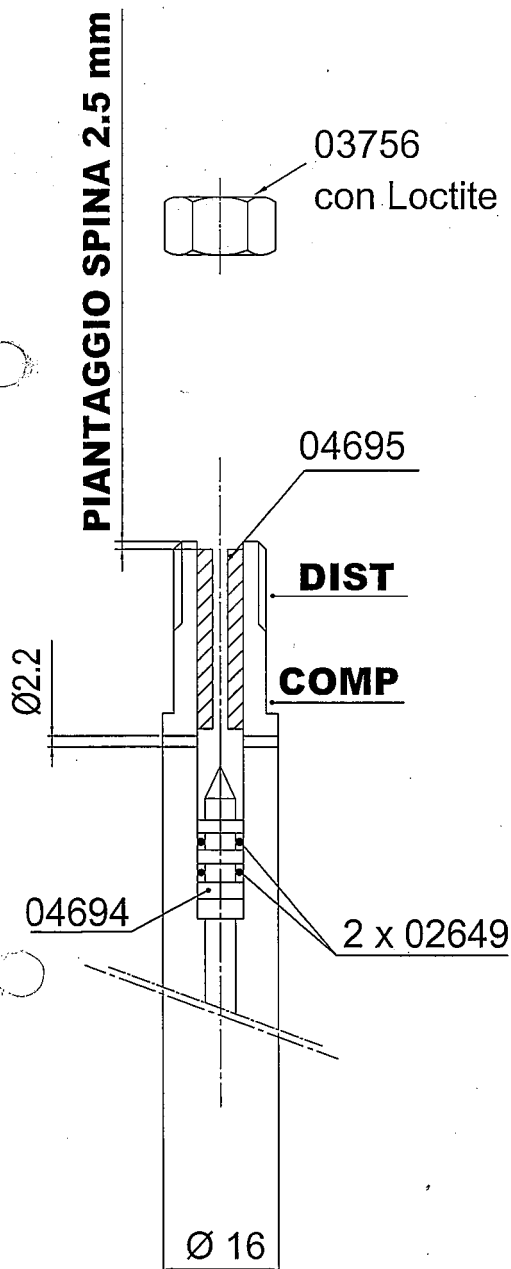
STELO ASSEMBLATO

Ammortiz.

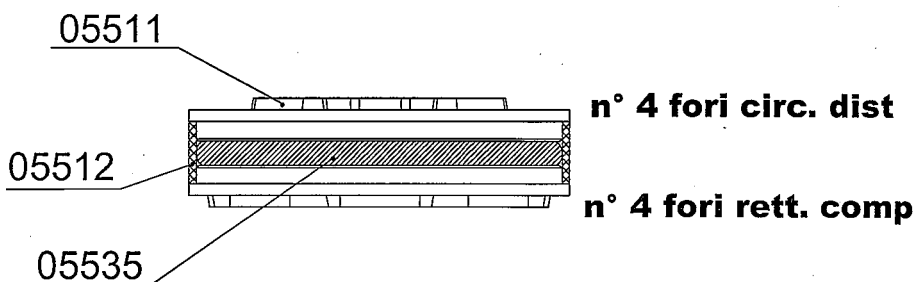
T.M. 450/700 SUPERMOTARD 4T

Cod.Amm.

315642500

D
I
S
T
E
N
S
I
O
N
E

24 x 2	000PA004117
22 x 0.30	1-246-000-5721
25 x 0.30	1-246-000-5731
26 x 0.30	1-246-000-6443
28 x 0.30	1-246-000-4284
30 x 0.30	1-246-000-4812
32 x 0.30	1-246-000-4612
34 x 0.30	1-246-000-2851
36 x 0.30	1-246-000-7713
30 x 0.10	000PA006058
38 x 0.20	1-246-000-7721
38 x 0.20	1-246-000-7721
38 x 0.20	1-246-000-7721
38 x 0.20	1-246-000-7721



44 x 0.20	000PA004617
44 x 0.20	000PA004617
44 x 0.20	000PA004617
44 x 0.20	000PA004617
44 x 0.20	000PA004617
44 x 0.20	000PA004617
44 x 0.20	000PA004617
44 x 0.20	000PA004617
44 x 0.20	000PA004617
44 x 0.20	000PA004617
44 x 0.20	000PA004617
42 x 0.20	000PA004727
42 x 0.20	000PA004727
40 x 0.25	000PA004651
38 x 0.30	1-246-000-7723
36 x 0.30	1-246-000-7713
34 x 0.30	1-246-000-2851
32 x 0.30	1-246-000-4612
30 x 0.30	1-246-000-4812
28 x 0.30	1-246-000-4284
26 x 0.30	1-246-000-6443
24 x 0.30	1-246-000-5712
38 x 4	000PA004331

C
O
M
P
R
E
S
S
I
O
N
E

Particolare

Codice

Stelo Ø16 lunghezza 168+35+18

000STC06184

Eseguito il
da DIDControllato il
da DIDED. 3 del 12/10/05
Valido dal